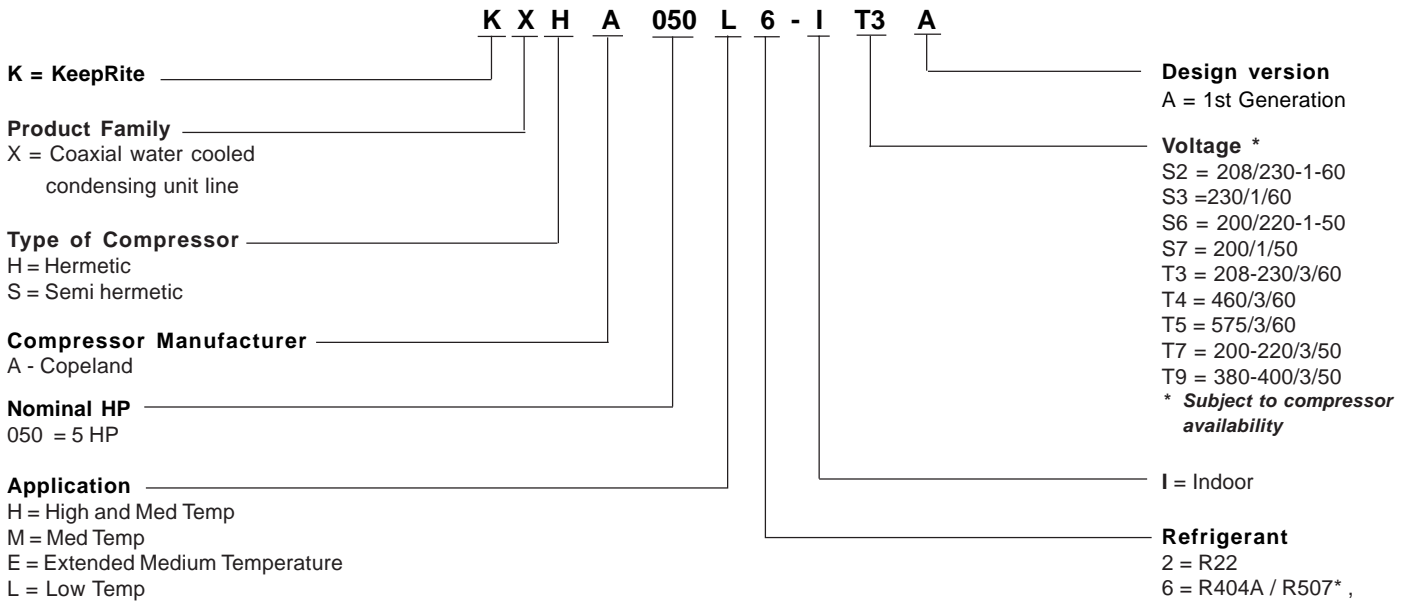


NOMENCLATURE



KXH HERMETIC CO-AXIAL WATER COOLED CONDENSING UNIT STANDARD FEATURES

- Weatherproof electrical control box with compressor contactor and fused control circuit
- Pre-formed piping
- Welded hermetic compressor
- Base valve on suction line (KXH)
- Copper tubing secured with cushion clamps
- Co-Axial condenser
- Receiver with fusible plug and liquid shut off valve
- Adjustable dual high / low pressure control
- Each Unit subjected to a thorough leak test with Helium leak-detectors
- Units are shipped with Helium holding charge

FACTORY MOUNTED OPTIONAL FEATURES

- Sealed suction filter
- Suction accumulator
- Suction accumulator with boil-out coil
- Sealed liquid line filter drier and sight glass
- Liquid line solenoid valve with 230 volt coil (shipped loose)
- Compressor circuit breaker
- Compressor time delay relay
- Pump down toggle switch
- Electric defrost kit with electronic or mechanical time clock and contactors, as required
- Lockout control circuit (for liquid solenoid valve)
- Disconnect switch (fused or non-fused)
- 3 Lead electronic phase / voltage monitor
- Water reg valve (shipped loose)

KXS SEMI-HERMETIC CO-AXIAL WATER COOLED CONDENSING UNIT STANDARD FEATURES

- Weatherproof electrical control box with compressor contactor and fused control circuit
- Pre-formed piping
- Solid mounted accessible semi-hermetic compressor up to 2 HP models
- Spring mounted accessible semi-hermetic compressor with suction and discharge vibration eliminator on 3HP and over models
- Suction service valve.
- Copper tubing secured with cushion clamps
- Co-Axial condenser
- Receiver with fusible plug and liquid shut off valve
- Adjustable dual high / low pressure control
- Each Unit subjected to a thorough leak test with Helium leak-detectors
- Units are shipped with Helium holding charge

FACTORY MOUNTED OPTIONAL FEATURES

- Spring mounted accessible compressor with suction and discharge vibration eliminator on up to 2 HP
- Suction accumulator
- Suction accumulator with boil-out coil
- Discharge line check valve
- Oil separator
- Oil separator c/w oil return filter & solenoid valve
- Receiver inlet ball valve
- Over-sized receiver
- Sealed liquid line filter drier & sight glass
- Ball valve – liquid line (shipped loose)
Insulated suction lines
- Flex hoses – for all pressure controls
- Liquid line solenoid valve (with standard 230 volt coil) – shipped loose
- Compressor circuit breaker
- Current sensing relay – for use with oil safety control (where applicable)
- Defrost heater contactor c/w fuse block
- Evaporator fan contactor c/w fuse block
- Disconnect switch
- Disconnect fusing
- Pump down toggle switch
- Lock out control circuit – Liquid solenoid valve with separate HP and LP controls
- Time delay relay for compressor
- Mechanical time clock
- Electronic time clock
- Electronic defrost kit
- Electronic voltage/phase monitor
- Water reg valve (shipped loose)



CAPACITY DATA - R22 HIGH/MEDIUM TEMPERATURE

60Hz

UNIT MODEL	COMPRESSOR MODEL		SATURATED SUCTION TEMPERATURE ° F (° C)							
			0 (-17.8)	10 (-12.2)	20 (-6.7)	25 (-3.9)	30 (-1.1)	40 (4.4)	45 (7.2)	
KXHA005H2	ART82C1	BTU/H (WATTS)	3160 (926)	4140 (1213)	5280 (1547)	5960 (1746)	6720 (1968)	8590 (2516)	9720 (2847)	
		GPM (L/HR)	0.7 (2.6)	0.9 (3.4)	1.2 (4.7)	1.5 (5.6)	1.8 (6.8)	2.7 (10.4)	3.4 (13.0)	
		PSI (kPa)	0.4 (2.5)	0.5 (3.7)	0.9 (6.1)	1.2 (8.1)	1.6 (11.0)	3.2 (21.9)	4.7 (32.1)	
KXHA008H2	RS64C2	BTU/H (WATTS)	4420 (1295)	5820 (1705)	7530 (2206)	8500 (2490)	9570 (2803)	12000 (3515)	13400 (3925)	
		GPM (L/HR)	1.2 (4.4)	1.3 (5.0)	1.6 (6.2)	1.9 (7.2)	2.2 (8.4)	3.2 (11.9)	3.8 (14.3)	
		PSI (kPa)	1.0 (7.0)	1.2 (8.6)	1.8 (12.1)	2.2 (15.1)	2.8 (19.4)	5.0 (34.3)	6.7 (46.5)	
KXHA010H2	RS70C1	BTU/H (WATTS)	4170 (1221)	6200 (1816)	8480 (2484)	9740 (2853)	11100 (3251)	14100 (4130)	15800 (4628)	
		GPM (L/HR)	1.1 (4.3)	1.3 (4.9)	1.7 (6.6)	2.1 (7.9)	2.5 (9.6)	3.8 (14.5)	4.7 (17.8)	
		PSI (kPa)	1.0 (6.7)	1.2 (8.3)	1.9 (13.2)	2.6 (17.7)	3.5 (24.1)	6.8 (47.2)	9.7 (67.0)	
KXHA015H2	CR18KQ	BTU/H (WATTS)	3680 (1078)	7310 (2141)	11000 (3222)	13000 (3808)	15000 (4394)	19500 (5712)	22000 (6444)	
		GPM (L/HR)	1.4 (5.4)	1.5 (5.8)	2.3 (8.6)	2.9 (11.0)	3.7 (14.1)	6.0 (22.8)	7.6 (28.8)	
		PSI (kPa)	0.4 (2.5)	0.4 (2.8)	0.9 (5.9)	1.3 (9.0)	2.0 (13.8)	4.6 (31.9)	7.0 (48.4)	
KXHA020H2	CR24KQ	BTU/H (WATTS)	7930 (2323)	11000 (3222)	14900 (4364)	17100 (5009)	19500 (5712)	24900 (7293)	27800 (8143)	
		GPM (L/HR)	1.3 (4.8)	1.6 (6.0)	2.4 (9.2)	3.1 (11.8)	4.0 (15.2)	6.6 (25.0)	8.3 (31.6)	
		PSI (kPa)	0.5 (3.1)	0.6 (4.3)	1.1 (7.7)	1.6 (11.0)	2.3 (16.1)	5.1 (35.3)	7.6 (52.1)	
KXHA025H2	CR32KQ	BTU/H (WATTS)	10700 (3134)	15300 (4481)	20300 (5946)	23100 (6766)	26000 (7615)	32600 (9549)	36300 (10632)	
		GPM (L/HR)	4.1 (15.4)	3.2 (12.0)	3.2 (12.3)	3.7 (14.1)	4.5 (17.2)	7.6 (28.7)	10.0 (37.9)	
		PSI (kPa)	1.5 (10.5)	0.9 (6.4)	1.0 (6.7)	1.3 (8.8)	1.9 (12.8)	4.5 (30.9)	7.1 (49.2)	
KXHA030H2	CR37KQ	BTU/H (WATTS)	12200 (3573)	17500 (5126)	23500 (6883)	26900 (7879)	30400 (8904)	38200 (11189)	42400 (12419)	
		GPM (L/HR)	3.6 (13.7)	3.1 (11.6)	4.0 (15.1)	5.1 (19.4)	6.8 (25.8)	12.1 (45.9)	15.9 (60.2)	
		PSI (kPa)	1.2 (8.4)	0.9 (6.0)	1.5 (10.0)	2.3 (15.8)	3.7 (25.7)	9.9 (68.1)	15.8 (108.7)	
KXHA035H2	CR41KQ	BTU/H (WATTS)	14100 (4130)	19600 (5741)	26200 (7674)	29900 (8758)	33800 (9900)	42700 (12507)	47600 (13942)	
		GPM (L/HR)	9.3 (35.3)	7.4 (28.0)	6.6 (24.9)	6.7 (25.5)	7.4 (28.1)	10.6 (40.2)	13.4 (50.6)	
		PSI (kPa)	4.3 (29.4)	2.9 (20.1)	2.4 (16.9)	2.5 (17.5)	2.9 (20.2)	5.3 (36.7)	8.1 (55.9)	
KXHA040H2	CR53KQ	BTU/H (WATTS)	18300 (5360)	25800 (7557)	34000 (9959)	38600 (11306)	43700 (12800)	55400 (16227)	62300 (18248)	
		GPM (L/HR)	3.9 (14.6)	4.6 (17.5)	6.4 (24.2)	7.8 (29.5)	9.6 (36.3)	15.0 (57.0)	19.0 (72.1)	
		PSI (kPa)	0.7 (4.8)	1.0 (6.6)	1.7 (11.5)	2.3 (16.0)	3.3 (23.1)	7.5 (51.4)	11.4 (78.8)	
KXHA050H2	CRN5-0500	BTU/H (WATTS)	21600 (6327)	30700 (8992)	40500 (11862)	45800 (13415)	51600 (15114)	64600 (18921)	71900 (21060)	
		GPM (L/HR)	4.6 (17.4)	5.7 (21.6)	7.9 (29.8)	9.5 (35.8)	11.4 (43.2)	16.9 (63.8)	20.5 (77.7)	
		PSI (kPa)	0.4 (2.6)	0.7 (5.0)	1.5 (10.5)	2.2 (15.1)	3.1 (21.5)	6.2 (43.0)	8.8 (60.7)	

Capacity rating conditions: 85 °F (29.4 °C) entering water, 105 °F (40.6 °C) condensing, 0 °F (0 °C) subcooling



CAPACITY DATA - R404A EXTENDED MEDIUM TEMPERATURE

60Hz

UNIT MODEL	COMPRESSOR MODEL		SATURATED SUCTION TEMPERATURE ° F (° C)									
			-25 (-32.1)	-20 (-28.9)	-10 (-23.3)	0 (-17.8)	10 (-12.2)	20 (-6.7)	25 (-3.9)	30 (-1.1)		
KXHA006E6	RS43C2E	BTU/H (WATTS)	1250 (366)	1560 (457)	2270 (665)	3130 (917)	4130 (1210)	5280 (1547)	5910 (1731)	6590 (1930)		
		GPM (L/HR)	0.5 (2.0)	0.5 (2.0)	0.6 (2.2)	0.7 (2.6)	0.9 (3.5)	1.3 (4.9)	1.6 (5.9)	1.9 (7.0)		
		PSI (kPa)	0.2 (1.6)	0.2 (1.6)	0.3 (1.8)	0.4 (2.5)	0.6 (3.9)	1.0 (6.6)	1.3 (8.7)	1.7 (11.6)		
KXHA008E6	RS55C2E	BTU/H (WATTS)	1590 (466)	1980 (580)	2900 (849)	4000 (1172)	5320 (1558)	6860 (2009)	7720 (2261)	8650 (2534)		
		GPM (L/HR)	1.3 (4.9)	1.2 (4.7)	1.1 (4.3)	1.1 (4.3)	1.2 (4.6)	1.5 (5.5)	1.6 (6.2)	1.9 (7.2)		
		PSI (kPa)	1.2 (8.2)	1.1 (7.6)	1.0 (6.8)	1.0 (6.7)	1.1 (7.6)	1.5 (10.0)	1.8 (12.1)	2.2 (15.0)		
KXHA009E6	RS64C2E	BTU/H (WATTS)	2000 (586)	2500 (732)	3590 (1052)	4810 (1409)	6210 (1819)	7810 (2288)	8690 (2545)	9650 (2826)		
		GPM (L/HR)	1.2 (4.5)	1.1 (4.3)	1.1 (4.3)	1.2 (4.6)	1.4 (5.3)	1.8 (6.7)	2.0 (7.7)	2.4 (9.0)		
		PSI (kPa)	1.0 (7.2)	1.0 (6.8)	1.0 (6.7)	1.1 (7.4)	1.4 (9.5)	2.0 (13.7)	2.5 (17.0)	3.1 (21.5)		
KXHA010E6	RS70C1E	BTU/H (WATTS)	1570 (460)	2320 (680)	3710 (1087)	5120 (1500)	6690 (1960)	8610 (2522)	9740 (2853)	11000 (3222)		
		GPM (L/HR)	1.3 (4.9)	1.2 (4.5)	1.1 (4.3)	1.2 (4.5)	1.4 (5.4)	1.9 (7.2)	2.2 (8.5)	2.7 (10.3)		
		PSI (kPa)	1.2 (8.2)	1.1 (7.3)	1.0 (6.6)	1.1 (7.3)	1.4 (9.7)	2.2 (15.0)	2.9 (19.7)	3.9 (26.9)		
KXHA015E6	CS10K6E	BTU/H (WATTS)	1970 (577)	2710 (794)	4580 (1341)	6930 (2030)	9710 (2844)	12900 (3778)	14600 (4276)	16300 (4774)		
		GPM (L/HR)	0.7 (2.6)	0.7 (2.5)	0.7 (2.8)	1.0 (3.9)	1.6 (6.1)	2.5 (9.5)	3.1 (11.7)	3.7 (14.2)		
		PSI (kPa)	0.4 (2.5)	0.4 (2.5)	0.4 (2.6)	0.5 (3.1)	0.7 (4.5)	1.1 (7.8)	1.5 (10.5)	2.1 (14.4)		
KXHA020E6	CS12K6E	BTU/H (WATTS)	2610 (764)	3500 (1025)	5670 (1661)	8340 (2443)	11500 (3368)	15100 (4423)	17100 (5009)	19200 (5624)		
		GPM (L/HR)	0.7 (2.5)	0.7 (2.6)	0.9 (3.3)	1.3 (5.1)	2.2 (8.2)	3.5 (13.1)	4.3 (16.2)	5.3 (19.9)		
		PSI (kPa)	0.4 (2.5)	0.4 (2.5)	0.4 (2.8)	0.6 (3.8)	0.9 (6.5)	1.8 (12.6)	2.6 (18.0)	3.7 (25.5)		
KXHA025E6	CS14K6E	BTU/H (WATTS)	3780 (1107)	4750 (1391)	7160 (2097)	10100 (2958)	13600 (3983)	17500 (5126)	19600 (5741)	21800 (6385)		
		GPM (L/HR)	1.3 (5.1)	1.3 (4.8)	1.3 (4.8)	1.6 (6.0)	2.4 (9.0)	3.7 (14.1)	4.6 (17.5)	5.7 (21.6)		
		PSI (kPa)	0.5 (3.4)	0.5 (3.1)	0.4 (3.1)	0.6 (4.2)	1.1 (7.4)	2.1 (14.3)	2.9 (20.0)	4.0 (27.7)		
KXHA030E6	CS18K6E	BTU/H (WATTS)	4530 (1327)	5590 (1637)	8630 (2528)	12700 (3720)	17500 (5126)	22900 (6707)	25700 (7528)	28500 (8348)		
		GPM (L/HR)	6.9 (26.2)	6.2 (23.5)	4.6 (17.6)	3.4 (13.0)	3.1 (11.7)	3.9 (14.8)	4.8 (18.1)	5.9 (22.4)		
		PSI (kPa)	3.8 (26.3)	3.2 (21.9)	1.9 (13.3)	1.1 (7.6)	0.9 (6.1)	1.4 (9.7)	2.0 (14.0)	2.9 (20.3)		
KXHA035E6	CS20K6E	BTU/H (WATTS)	4580 (1341)	6420 (1880)	10100 (2958)	14200 (4159)	19200 (5624)	25600 (7498)	29500 (8641)	34000 (9959)		
		GPM (L/HR)	6.7 (25.4)	5.6 (21.1)	4.0 (15.1)	3.2 (11.9)	3.3 (12.4)	5.1 (19.2)	7.0 (26.4)	9.9 (37.6)		
		PSI (kPa)	3.6 (25.1)	2.7 (18.3)	1.5 (10.1)	0.9 (6.4)	1.0 (6.9)	2.2 (15.5)	3.9 (26.8)	7.0 (48.6)		
KXHA040E6	CS27K3E	BTU/H (WATTS)	6910 (2024)	8620 (2525)	12800 (3749)	18100 (5301)	24600 (7205)	32600 (9549)	37100 (10867)	42000 (1202)		
		GPM (L/HR)	12.9 (49.0)	11.7 (44.3)	9.2 (34.9)	7.3 (27.5)	6.6 (24.9)	8.0 (30.1)	9.7 (36.6)	12.2 (46.2)		
		PSI (kPa)	7.6 (52.7)	6.4 (43.8)	4.2 (28.8)	2.8 (19.6)	2.5 (16.9)	3.3 (22.6)	4.5 (31.2)	6.9 (47.4)		
KXHA050E6	CS33K3E	BTU/H (WATTS)	8350 (2446)	10800 (3163)	16100 (4716)	22600 (6620)	30300 (8875)	39600 (11599)	45000 (13181)	50800 (14879)		
		GPM (L/HR)	4.8 (18.2)	4.6 (17.3)	4.4 (16.8)	4.8 (18.2)	6.0 (22.6)	8.3 (31.3)	10.0 (37.7)	12.1 (45.8)		
		PSI (kPa)	0.4 (3.0)	0.4 (2.5)	0.3 (2.2)	0.4 (3.0)	0.8 (5.7)	1.7 (11.6)	2.4 (16.7)	3.5 (23.9)		

Capacity rating conditions: 85 °F (29.4 °C) entering water, 105 °F (40.6 °C) condensing, 0 °F (0 °C) subcooling



CAPACITY DATA R404A - LOW TEMPERATURE

60Hz

UNIT MODEL	COMPRESSOR MODEL		SATURATED SUCTION TEMPERATURE ° F (° C)					
			-30 (-34.4)	-20 (-28.9)	-10 (-23.3)	0 (-17.8)	10 (-12.2)	15 (-9.4)
KXHA006L6	AFT22C1E	BTU/H (WATTS)	N/A	1900 (557)	2530 (741)	3320 (972)	4410 (1292)	5100 (1494)
		GPM (L/HR)		0.7 (2.7)	0.9 (3.3)	1.3 (4.9)	2.2 (8.2)	2.9 (10.8)
		PSI (kPa)		0.4 (2.5)	0.4 (2.9)	0.7 (4.7)	1.7 (11.9)	3.1 (21.1)
KXHA008L6	AFT26C1E	BTU/H (WATTS)	N/A	2370 (694)	3210 (940)	4310 (1262)	5730 (1678)	6580 (1927)
		GPM (L/HR)		0.9 (3.2)	1.3 (4.8)	2.1 (8.0)	3.8 (14.5)	5.2 (19.6)
		PSI (kPa)		0.4 (2.9)	0.7 (4.6)	1.7 (11.5)	5.6 (38.7)	10.6 (73.0)
KXHA010L6	CF04K6E	BTU/H (WATTS)	2080 (609)	3570 (1046)	5310 (1555)	7590 (2223)	10700 (3134)	N/A
		GPM (L/HR)	0.6 (2.2)	0.9 (3.4)	1.6 (6.0)	2.9 (10.9)	5.2 (19.8)	
		PSI (kPa)	0.3 (1.9)	0.6 (3.8)	1.3 (9.0)	3.5 (23.8)	9.7 (67.2)	
KXHA020L6	CF06K6E	BTU/H (WATTS)	3660 (1072)	5720 (1675)	8330 (2440)	11400 (3339)	14900 (4364)	N/A
		GPM (L/HR)	1.1 (4.3)	1.4 (5.4)	2.2 (8.5)	3.8 (14.3)	6.1 (23.2)	
		PSI (kPa)	1.0 (6.7)	1.4 (9.6)	2.9 (19.7)	6.7 (46.4)	15.4 (106.3)	
KXHA025L6	CF09K6E	BTU/H (WATTS)	5820 (1705)	8810 (2580)	12400 (3632)	16700 (4891)	21600 (6327)	N/A
		GPM (L/HR)	1.0 (3.9)	1.8 (6.9)	3.2 (12.2)	5.4 (20.6)	8.7 (32.8)	
		PSI (kPa)	0.5 (3.1)	0.8 (5.2)	1.6 (11.3)	3.9 (27.2)	9.2 (63.7)	
KXHA030L6	CF12K6E	BTU/H (WATTS)	7850 (2299)	11700 (3427)	16000 (4686)	21100 (6180)	27300 (7996)	N/A
		GPM (L/HR)	1.5 (5.6)	2.5 (9.4)	4.4 (16.8)	7.7 (29.2)	13.0 (49.1)	
		PSI (kPa)	0.6 (3.8)	1.1 (7.8)	2.7 (18.6)	6.6 (45.7)	16.2 (111.6)	

Capacity rating conditions: 85 °F (29.4 °C) entering water, 105 °F (40.6 °C) condensing, 0 °F (0 °C) subcooling

UNIT MODEL	COMPRESSOR MODEL		SATURATED SUCTION TEMPERATURE ° F (° C)						
			0 (-17.8)	10 (-12.2)	20 (-6.7)	25 (-3.9)	30 (-1.1)	40 (4.4)	45 (7.2)
KXSA005H2	HAG2-0050	BTU/H (WATTS)	2200 (644)	2890 (846)	3770 (1104)	4270 (1251)	4830 (1415)	6100 (1787)	6820 (1998)
		GPM (L/HR)	0.7 (2.6)	0.8 (3.0)	1.0 (3.9)	1.3 (4.7)	1.5 (5.8)	2.4 (9.0)	3.0 (11.3)
		PSI (kPa)	0.4 (2.5)	0.4 (2.7)	0.5 (3.6)	0.7 (4.6)	0.9 (6.4)	2.1 (14.6)	3.4 (23.1)
KXSA008H2	KAN2-0075	BTU/H (WATTS)	3620 (1060)	4800 (1406)	6250 (1831)	7080 (2074)	7990 (2340)	10000 (2929)	11200 (3280)
		GPM (L/HR)	0.7 (2.7)	1.0 (3.7)	1.4 (5.4)	1.7 (6.5)	2.1 (8.0)	3.1 (11.8)	3.8 (14.3)
		PSI (kPa)	0.4 (2.6)	0.6 (4.2)	1.1 (7.5)	1.5 (10.3)	2.1 (14.2)	4.0 (27.4)	5.5 (37.9)
KXSA010H2	KAR2-0100	BTU/H (WATTS)	5190 (1520)	6820 (1998)	8810 (2580)	9950 (2914)	11200 (3280)	13900 (4071)	15400 (4511)
		GPM (L/HR)	1.2 (4.5)	1.4 (5.3)	1.8 (7.0)	2.2 (8.3)	2.6 (9.9)	3.8 (14.5)	4.6 (17.4)
		PSI (kPa)	1.0 (7.2)	1.4 (9.4)	2.1 (14.5)	2.8 (19.0)	3.7 (25.4)	6.8 (47.2)	9.4 (64.8)
KXSA015H2	KAGB-0150	BTU/H (WATTS)	6260 (1834)	8140 (2384)	10600 (3105)	12100 (3544)	13700 (4013)	17200 (5038)	19100 (5594)
		GPM (L/HR)	1.4 (5.5)	1.7 (6.4)	2.2 (8.4)	2.6 (10.0)	3.2 (12.0)	4.7 (17.6)	5.6 (21.4)
		PSI (kPa)	0.4 (2.6)	0.5 (3.4)	0.8 (5.6)	1.1 (7.5)	1.5 (10.4)	2.9 (20.3)	4.1 (28.5)
KXSA020H2	KAKB-0200	BTU/H (WATTS)	8590 (2516)	11600 (3398)	15000 (4394)	16800 (4921)	18800 (5507)	23400 (6854)	25900 (7586)
		GPM (L/HR)	1.3 (5.1)	2.1 (8.0)	3.2 (12.2)	3.9 (14.9)	4.8 (18.2)	7.0 (26.7)	8.5 (32.2)
		PSI (kPa)	0.6 (3.8)	0.9 (6.2)	1.6 (11.3)	2.3 (15.6)	3.2 (21.8)	6.3 (43.3)	8.9 (61.5)
KXSA030H2	ERF1-0310	BTU/H (WATTS)	N/A	19300 (5653)	24900 (7293)	28200 (8260)	31700 (9285)	39500 (11570)	43900 (12858)
		GPM (L/HR)		3.3 (12.5)	4.8 (18.3)	6.3 (23.7)	8.2 (31.2)	14.2 (53.8)	18.4 (69.8)
		PSI (kPa)		1.0 (7.1)	2.1 (14.3)	3.2 (22.3)	5.1 (35.4)	13.0 (89.6)	20.4 (141.0)
KXSA040H2	NRB2-0400	BTU/H (WATTS)	N/A	25500 (7469)	34200 (10017)	39100 (11452)	44300 (12975)	56200 (16461)	62900 (18423)
		GPM (L/HR)		4.7 (17.8)	6.7 (25.3)	8.2 (31.1)	10.2 (38.5)	15.7 (59.5)	19.5 (73.9)
		PSI (kPa)		1.0 (6.8)	1.8 (12.3)	2.5 (17.6)	3.7 (25.5)	8.1 (55.6)	12.0 (82.5)

R22 - MEDIUM TEMPERATURE

UNIT MODEL	COMPRESSOR MODEL		SATURATED SUCTION TEMPERATURE ° F (° C)							
			-5 (-20.6)	0 (-17.8)	5 (-14.5)	10 (-12.2)	15 (-9.4)	20 (-6.7)	25 (-3.9)	30 (-1.1)
KXSA005M2	HAJ1-0050	BTU/H (WATTS)	2170 (636)	2520 (738)	2900 (849)	3310 (969)	3760 (1101)	4260 (1248)	4800 (1406)	N/A
		GPM (L/HR)	0.5 (2.0)	0.6 (2.1)	0.6 (2.2)	0.6 (2.4)	0.7 (2.7)	0.8 (3.0)	0.9 (3.4)	
		PSI (kPa)	0.2 (1.7)	0.3 (1.8)	0.3 (1.9)	0.3 (2.2)	0.4 (2.5)	0.4 (3.1)	0.6 (3.8)	
KXSA008M2	KAE2-0075	BTU/H (WATTS)	3610 (1057)	4170 (1221)	4780 (1400)	5430 (1590)	6150 (1801)	6960 (2039)	7870 (2305)	N/A
		GPM (L/HR)	1.1 (4.3)	1.1 (4.3)	1.1 (4.3)	1.2 (4.5)	1.3 (4.8)	1.4 (5.2)	1.6 (5.9)	
		PSI (kPa)	1.0 (6.7)	1.0 (6.6)	1.0 (6.8)	1.1 (7.3)	1.2 (8.0)	1.3 (9.2)	1.6 (11.0)	
KXSA010M2	KAM2-0100	BTU/H (WATTS)	N/A	5610 (1643)	6560 (1921)	7590 (2223)	8700 (2548)	9900 (2900)	11200 (3280)	12600 (3691)
		GPM (L/HR)		1.2 (4.6)	1.3 (5.0)	1.5 (5.7)	1.7 (6.6)	2.1 (7.8)	2.5 (9.4)	3.0 (11.4)
		PSI (kPa)		1.1 (7.4)	1.2 (8.5)	1.5 (10.4)	1.9 (13.2)	2.5 (17.4)	3.4 (23.4)	4.6 (32.0)
KXSA021M2	ERC1-0200	BTU/H (WATTS)	8010 (2346)	9330 (2733)	10800 (3163)	12600 (3691)	14500 (4247)	16600 (4862)	19000 (5565)	N/A
		GPM (L/HR)	1.3 (4.9)	1.4 (5.4)	1.7 (6.3)	2.0 (7.5)	2.5 (9.4)	3.1 (11.9)	4.0 (15.3)	
		PSI (kPa)	0.5 (3.2)	0.5 (3.6)	0.6 (4.5)	0.8 (5.8)	1.1 (7.9)	1.6 (11.1)	2.3 (16.2)	
KXSA030M2	3RA1-0310	BTU/H (WATTS)	N/A	N/A	20100 (5887)	23000 (6737)	26000 (7615)	29300 (8582)	32900 (9636)	N/A
		GPM (L/HR)			7.0 (26.4)	6.6 (25.1)	6.6 (25.0)	6.9 (26.1)	7.6 (28.8)	
		PSI (kPa)			2.7 (18.4)	2.5 (17.1)	2.5 (17.0)	2.6 (18.1)	3.1 (21.1)	
KXSA050M2	NRM1-0500	BTU/H (WATTS)	N/A	N/A	33800 (9900)	38300 (11218)	43400 (12712)	48900 (14323)	55000 (16110)	N/A
		GPM (L/HR)			8.0 (30.2)	8.5 (32.4)	9.4 (35.4)	10.5 (39.6)	11.9 (45.2)	
		PSI (kPa)			1.7 (11.4)	1.7 (12.0)	1.9 (12.9)	2.1 (14.4)	2.4 (16.9)	

Capacity rating conditions: 85 °F (29.4 °C) entering water, 105 °F (40.6 °C) condensing, 0 °F (0 °C) subcooling

UNIT MODEL	COMPRESSOR MODEL		SATURATED SUCTION TEMPERATURE ° F (° C)								
			-5 (-20.6)	0 (-17.8)	5 (-14.5)	10 (-12.2)	15 (-9.4)	20 (-6.7)	25 (-3.9)		
KXSA005M6	HAJA-005E	BTU/H (WATTS)	2350 (688)	2710 (794)	3080 (902)	3470 (1016)	3900 (1142)	4400 (1289)	4970 (1456)		
		GPM (L/HR)	0.6 (2.1)	0.6 (2.2)	0.6 (2.4)	0.7 (2.6)	0.8 (2.9)	0.9 (3.3)	1.0 (3.9)		
		PSI (kPa)	0.3 (1.8)	0.3 (1.9)	0.3 (2.2)	0.4 (2.5)	0.4 (3.0)	0.5 (3.6)	0.7 (4.5)		
KXSA010M6	KARB-010E	BTU/H (WATTS)	4870 (1426)	5540 (1623)	6320 (1851)	7170 (2100)	8070 (2364)	8980 (2630)	9870 (2891)		
		GPM (L/HR)	1.2 (4.5)	1.3 (4.8)	1.4 (5.3)	1.6 (5.9)	1.8 (6.8)	2.1 (7.8)	2.3 (8.8)		
		PSI (kPa)	1.1 (7.3)	1.2 (8.0)	1.3 (9.3)	1.6 (11.1)	2.0 (13.8)	2.5 (17.1)	3.0 (21.0)		
KXSA020M6	KAKA-020E	BTU/H (WATTS)	7920 (2320)	8930 (2616)	10200 (2988)	11600 (3398)	13100 (3837)	14800 (4335)	16400 (4804)		
		GPM (L/HR)	1.3 (4.8)	1.5 (5.6)	1.8 (6.8)	2.2 (8.3)	2.7 (10.2)	3.3 (12.5)	3.9 (14.9)		
		PSI (kPa)	0.5 (3.6)	0.6 (4.2)	0.7 (5.1)	0.9 (6.5)	1.3 (8.7)	1.7 (11.7)	2.3 (15.5)		
KXSA021M6	ERCA-021E	BTU/H (WATTS)	9610 (2815)	11200 (3280)	12800 (3749)	14600 (4276)	16400 (4804)	18500 (5419)	20800 (6092)		
		GPM (L/HR)	1.6 (5.9)	1.9 (7.1)	2.3 (8.6)	2.8 (10.6)	3.5 (13.1)	4.3 (16.4)	5.4 (20.4)		
		PSI (kPa)	0.6 (4.1)	0.8 (5.3)	1.0 (6.9)	1.4 (9.4)	1.9 (12.9)	2.6 (18.0)	3.7 (25.4)		
KXSA030M6	ERFA-031E	BTU/H (WATTS)	14300 (4188)	16400 (4804)	18600 (5448)	21100 (6180)	23800 (6971)	26700 (7820)	30000 (8787)		
		GPM (L/HR)	3.1 (11.7)	3.1 (11.7)	3.3 (12.5)	3.8 (14.3)	4.6 (17.5)	5.8 (22.1)	7.6 (28.7)		
		PSI (kPa)	0.9 (6.2)	0.9 (6.1)	1.0 (7.0)	1.3 (9.1)	1.9 (13.1)	2.9 (19.8)	4.5 (30.8)		
KXSA035M6	3RAA-031E	BTU/H (WATTS)	16100 (4716)	18800 (5507)	21800 (6385)	25000 (7323)	28600 (8377)	32500 (9519)	36700 (10749)		
		GPM (L/HR)	7.8 (29.5)	7.1 (26.8)	6.7 (25.2)	6.6 (24.9)	6.9 (26.3)	7.8 (29.5)	9.3 (35.2)		
		PSI (kPa)	3.2 (21.8)	2.7 (18.8)	2.5 (17.2)	2.5 (16.9)	2.6 (18.3)	3.2 (21.9)	4.2 (29.2)		
KXSA040M6	NRB2-040E	BTU/H (WATTS)	18200 (5331)	21400 (6268)	24700 (7235)	28400 (8318)	32300 (9461)	36700 (10749)	41500 (12155)		
		GPM (L/HR)	4.0 (15.0)	4.3 (16.3)	4.8 (18.2)	5.6 (21.1)	6.6 (25.0)	8.0 (30.1)	9.7 (36.8)		
		PSI (kPa)	0.7 (5.0)	0.8 (5.8)	1.0 (7.0)	1.3 (9.0)	1.8 (12.1)	2.4 (16.7)	3.4 (23.6)		

R404A - LOW TEMPERATURE

UNIT MODEL	COMPRESSOR MODEL		SATURATED SUCTION TEMPERATURE ° F (° C)						
			-40 (-40.0)	-30 (-34.4)	-20 (-28.9)	-15 (-26.1)	-10 (-23.3)	0 (-17.8)	
KXSA005L6	KANB-005E	BTU/H (WATTS)	730 (214)	1240 (363)	1910 (559)	2310 (677)	2750 (805)	3740 (1095)	
		GPM (L/HR)	0.9 (3.4)	0.7 (2.8)	0.7 (2.6)	0.7 (2.8)	0.8 (3.1)	1.2 (4.6)	
		PSI (kPa)	0.4 (3.1)	0.4 (2.6)	0.4 (2.5)	0.4 (2.6)	0.4 (2.8)	0.6 (4.4)	
KXSA008L6	KAMB-007E	BTU/H (WATTS)	1750 (513)	2360 (691)	3320 (972)	3910 (1145)	4550 (1333)	5940 (1740)	
		GPM (L/HR)	0.5 (2.0)	0.6 (2.3)	0.8 (3.0)	0.9 (3.5)	1.1 (4.3)	1.7 (6.4)	
		PSI (kPa)	0.2 (1.7)	0.3 (2.0)	0.4 (3.0)	0.6 (4.0)	0.8 (5.3)	1.4 (10.0)	
KXSA010L6	KAJB-010E	BTU/H (WATTS)	2210 (647)	3230 (946)	4480 (1312)	5210 (1526)	6010 (1760)	7860 (2302)	
		GPM (L/HR)	1.2 (4.5)	1.1 (4.3)	1.2 (4.4)	1.2 (4.7)	1.4 (5.2)	1.8 (6.9)	
		PSI (kPa)	1.0 (7.1)	1.0 (6.6)	1.0 (7.1)	1.1 (7.8)	1.3 (9.1)	2.0 (14.1)	
KXSA015L6	KALB-015E	BTU/H (WATTS)	3260 (955)	4830 (1415)	6700 (1962)	7780 (2279)	8950 (2621)	11700 (3427)	
		GPM (L/HR)	1.4 (5.2)	1.4 (5.4)	1.7 (6.3)	1.9 (7.3)	2.3 (8.5)	3.3 (12.5)	
		PSI (kPa)	0.3 (2.4)	0.4 (2.5)	0.5 (3.4)	0.6 (4.3)	0.8 (5.8)	1.6 (11.2)	
KXSA020L6	EADB-021E	BTU/H (WATTS)	3570 (1046)	5240 (1535)	7480 (2191)	8820 (2583)	10300 (3017)	13800 (4042)	
		GPM (L/HR)	1.4 (5.2)	1.5 (5.5)	1.9 (7.1)	2.3 (8.5)	2.8 (10.6)	4.6 (17.3)	
		PSI (kPa)	0.3 (2.3)	0.4 (2.6)	0.6 (4.1)	0.8 (5.7)	1.2 (8.4)	2.8 (19.5)	
KXSA021L6	EAVB-021E	BTU/H (WATTS)	4270 (1251)	6330 (1854)	8810 (2580)	10200 (2988)	11800 (3456)	15400 (4511)	
		GPM (L/HR)	0.8 (3.2)	1.2 (4.6)	1.9 (7.0)	2.3 (8.8)	2.9 (11.0)	4.5 (17.0)	
		PSI (kPa)	0.4 (2.8)	0.5 (3.5)	0.8 (5.3)	1.0 (7.0)	1.4 (9.6)	2.8 (19.4)	
KXSA030L6	LAHA-032E	BTU/H (WATTS)	5660 (1658)	9130 (2674)	13600 (3983)	16100 (4716)	18900 (5536)	25100 (7352)	
		GPM (L/HR)	1.2 (4.7)	1.7 (6.4)	3.1 (11.7)	4.3 (16.2)	5.8 (22.1)	10.4 (39.2)	
		PSI (kPa)	0.4 (3.0)	0.7 (4.6)	1.6 (10.8)	2.6 (17.6)	4.2 (29.0)	10.9 (75.3)	
KXSA031L6	NRD1-032E	BTU/H (WATTS)	7640 (2238)	12000 (3515)	16600 (4862)	19200 (5624)	22000 (6444)	28800 (8436)	
		GPM (L/HR)	4.2 (16.0)	3.1 (11.8)	3.5 (13.2)	4.3 (16.1)	5.5 (20.9)	10.2 (38.5)	
		PSI (kPa)	1.6 (11.2)	0.9 (6.2)	1.1 (7.8)	1.6 (11.4)	2.6 (18.0)	7.3 (50.6)	
KXSA032L6	LACA-032E	BTU/H (WATTS)	8130 (2381)	12200 (3573)	17200 (5038)				
		GPM (L/HR)	1.6 (5.9)	2.8 (10.5)	5.3 (20.1)	N/A	N/A	N/A	
		PSI (kPa)	0.6 (4.1)	1.3 (9.3)	3.6 (24.7)				

Capacity rating conditions: 85 °F (29.4 °C) entering water, 105 °F (40.6 °C) condensing, 0 °F (0 °C) subcooling



ELECTRICAL DATA R22 MODELS

60Hz

UNIT MODEL	ELECTRICAL CODE	COMPRESSOR MODEL	POWER SUPPLY	COMPRESSOR		UNIT	
				RLA	LRA	MCA	MOP
KXHA005H2	S1	ART82C1-CAA	115/1/60	10.6	72.0	13.3	20
	S2	ART82C1-CAV	208-230/1/60	5.3	30.0	6.6	15
KXHA008H2	S1	RS64C2-CAA	115/1/60	11.9	59.0	14.9	25
	S2	RS64C2-CAV	208-230/1/60	6.9	37.0	8.6	15
KXHA010H2	S1	RS70C1-PAA	115/1/60	15.0	72.5	18.8	30
	S2	RS70C1-PFV	208-230/1/60	6.3	34.2	7.9	15
	T3	RS70C1-TFC	208-230/3/60	4.2	31.0	5.3	15
KXHA015H2	S2	CR18KQ-PFV	208-230/1/60	8.1	41.0	10.1	15
	T3	CR18KQ-TF5	208-230/3/60	5.4	49.0	6.8	15
KXHA020H2	S2	CR24KQ-PFV	208-230/1/60	12.2	70.5	15.2	25
	T3	CR24KQ-TF5	208-230/3/60	6.7	51.0	8.4	15
	T4	CR24KQ-TFD	460/3/60	3.3	25.0	4.2	15
KXHA025H2	S2	CR32KQ-PFV	208-230/1/60	15.3	83.0	19.1	30
	T3	CR32KQ-TF5	208-230/3/60	8.8	63.0	11.1	15
	T4	CR32KQ-TFD	460/3/60	4.6	32.0	5.7	15
KXHA030H2	S2	CR37KQ-PFV	208-230/1/60	16.7	100	20.8	35
	T3	CR37KQ-TF5	208-230/3/60	9.9	85.0	12.4	20
	T4	CR37KQ-TFD	460/3/60	5.0	39.0	6.3	15
KXHA035H2	S2	CR41KQ-PFV	208-230/1/60	17.4	110	21.7	35
	T3	CR41KQ-TF5	208-230/3/60	11.8	80.0	14.7	25
	T4	CR41KQ-TFD	460/3/60	5.3	42.0	6.7	15
KXHA040H2	S2	CR53KQ-PFV	208-230/1/60	26.0	140	32.5	50
	T3	CR53KQ-TF5	208-230/3/60	16.3	107	20.4	35
	T4	CR53KQ-TFD	460/3/60	8.1	55.0	10.2	15
KXHA050H2	S2	CRN5-0500-PFV	208-230/1/60	30.8	142	38.5	60
	T3	CRN5-0500-TF5	208-230/3/60	19.2	130	24.0	40
	T4	CRN5-0500-TFD	460/3/60	8.7	65.0	10.8	15

NOTE: Above listed RLA value conforms to UL rating method and may differ from other published compressor RLA data



ELECTRICAL DATA R404A MODELS

60Hz

UNIT MODEL	ELECTRICAL CODE	COMPRESSOR MODEL	POWER SUPPLY	COMPRESSOR		UNIT	
				RLA	LRA	MCA	MOP
KXHA006E6	S1	RS43C2E-CAA	115/1/60	9.1	51.0	11.4	20
	S2	RS43C2E-CAV	208-230/1/60	4.8	24.1	6.0	15
KXHA008E6	S1	RS55C2E-CAA	115/1/60	11.9	60.0	14.8	25
	S2	RS55C2E-CAV	208-230/1/60	5.4	40.0	6.8	15
KXHA009E6	S1	RS64C2E-CAA	115/1/60	10.9	59.0	13.6	20
	S2	RS64C2E-CAV	208-230/1/60	6.9	37.0	8.7	15
KXHA010E6	S2	RS70C1E-PFV	208-230/1/60	6.3	34.2	7.9	15
	T3	RS70C1E-TFC	208-230/3/60	4.2	31.0	5.3	15
KXHA015E6	S2	CS10K6E-PFV	208-230/1/60	9.8	56.0	12.3	20
	T3	CS10K6E-TF5	208-230/3/60	6.7	51.0	8.4	15
	T4	CS10K6E-TFD	460/3/60	3.2	25.0	4.0	15
KXHA020E6	S2	CS12K6E-PFV	208-230/1/60	9.8	56.0	12.3	20
	T3	CS12K6E-TF5	208-230/3/60	6.7	51.0	8.4	15
KXHA025E6	S2	CS14K6E-PFV	208-230/1/60	11.2	61.0	14.0	25
	T3	CS14K6E-TF5	208-230/3/60	8.2	55.0	10.3	15
	T4	CS14K6E-TFD	460/3/60	4.2	28.0	5.3	15
KXHA030E6	S2	CS18K6E-PFV	208-230/1/60	14.4	82.0	17.9	30
	T3	CS18K6E-TF5	208-230/3/60	7.9	65.5	9.9	15
	T4	CS18K6E-TFD	460/3/60	4.2	33.0	5.3	15
KXHA035E6	S2	CS20K6E-PFV	208-230/1/60	16.7	96.0	20.8	35
	T3	CS20K6E-TF5	208-230/3/60	10.2	75.0	12.8	20
	T4	CS20K6E-TFD	460/3/60	4.6	40.0	5.7	15
KXHA040E6	S2	CS27K6E-PFV	208-230/1/60	21.5	95.4	26.8	45
	T3	CS27K6E-TF5	208-230/3/60	14.0	82.0	17.5	30
	T4	CS27K6E-TFD	460/3/60	7.6	41.0	9.5	15
KXHA050E6	S2	CS33K6E-PFV	208-230/1/60	27.6	125	34.5	60
	T3	CS33K6E-TF5	208-230/3/60	16.8	102	21.0	35
	T4	CS33K6E-TFD	460/3/60	8.8	48.0	11.1	15
KXHA006L6	S1	AFT22C1E-IAA	115/1/60	8.3	55.0	10.3	15
	S2	AFT22C1E-CFV	208-230/1/60	3.3	32.5	4.2	15
KXHA008L6	S1	AFT26C1E-CFA	115/1/60	7.9	72.0	9.9	15
	S2	AFT26C1E-CFV	208-230/1/60	4.1	32.2	5.2	15
KXHA010L6	S2	CF04K6E-PFV	208-230/1/60	9.9	59.2	12.4	20
	T3	CF04K6E-TF5	208-230/3/60	6.1	52.0	7.6	15
KXHA020L6	S2	CF06K6E-PFV	208-230/1/60	10.3	59.2	12.8	20
	T3	CF06K6E-TF5	208-230/3/60	6.3	52.0	7.9	15
KXHA025L6	S2	CF09K6E-PFV	208-230/1/60	15.0	87.0	18.8	30
	T3	CF09K6E-TF5	208-230/3/60	9.2	72.2	11.5	20
	T4	CF09K6E-TFD	460/3/60	4.9	35.8	6.2	15
KXHA030L6	S2	CF12K6E-PFV	208-230/1/60	18.4	105	23.0	40
	T3	CF12K6E-TF5	208-230/3/60	11.0	85.0	13.8	20
	T4	CF12K6E-TFD	460/3/60	5.9	42.0	7.4	15

NOTE: Above listed RLA value conforms to UL rating method and may differ from other published compressor RLA data

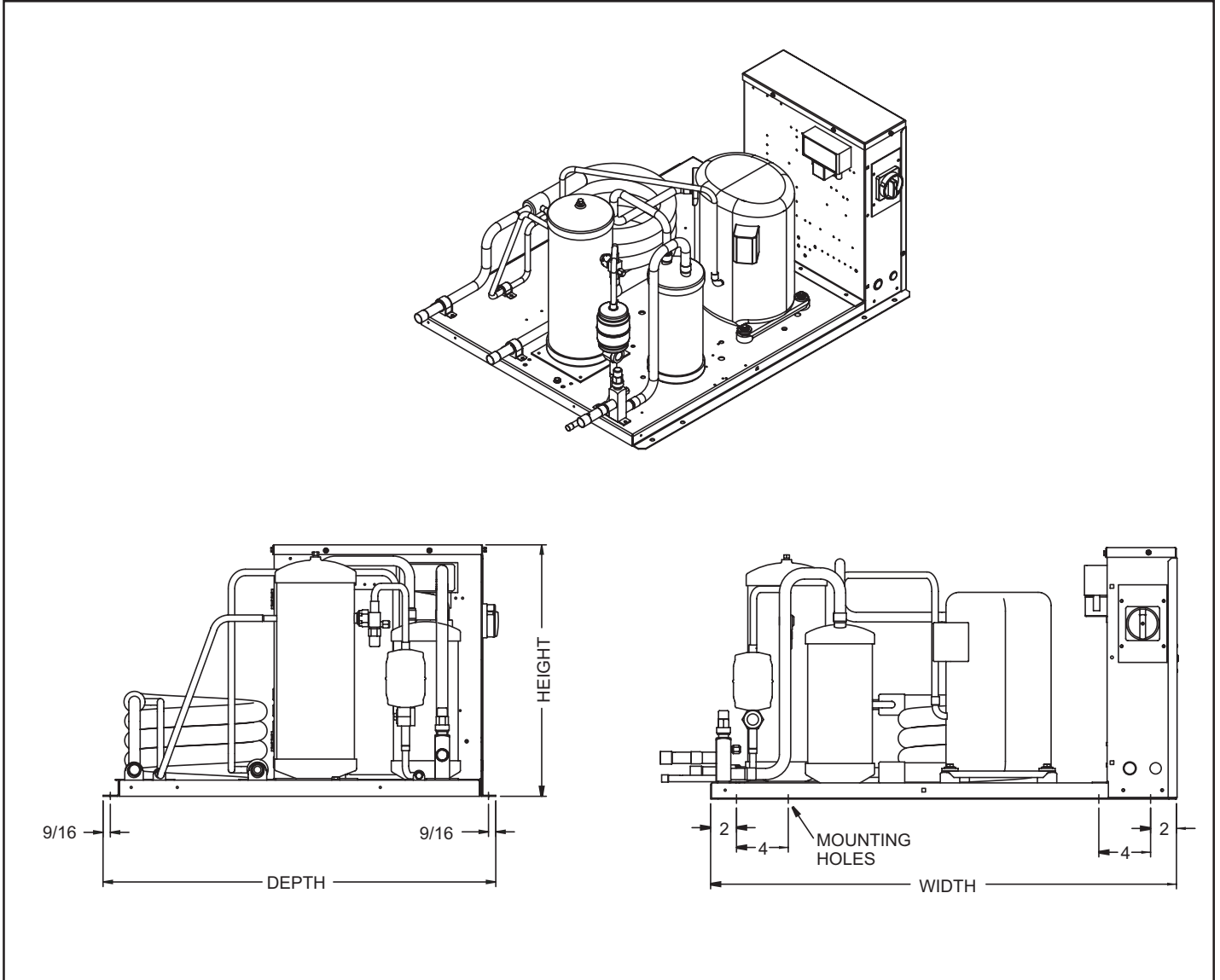
UNIT MODEL	ELECTRICAL CODE	COMPRESSOR MODEL	POWER SUPPLY	COMPRESSOR		UNIT	
				RLA	LRA	MCA	MOP
KXSA005H2	S2	HAG2-0050-CAV	208-230/1/60	4.0	22	5.0	15
	T3	HAG1-0050-TAC	208-230/3/60	2.4	13	3.0	15
KXSA008H2	S2	KAN2-0075-CAV	208-230/1/60	6.1	36	7.6	15
	T3	KAN1-0075-TAC	208-230/3/60	3.5	19.9	4.4	15
KXSA010H2	S2	KAR2-0100-CAV	208-230/1/60	7.4	40	9.3	15
	T3	KAR1-0100-TAC	208-230/3/60	4.3	27	5.4	15
KXSA015H2	S2	KAGB-0150-CAV	208-230/1/60	9.6	55	12.0	20
	T3	KAGA-0150-TAC	208-230/3/60	5.5	35.5	6.9	15
	T4	KAGA-0150-TAD	460/3/60	2.5	18.2	3.1	15
KXSA020H2	S2	KAKB-0200-CAV	208-230/1/60	10.6	55	13.3	20
	T3	KAKA-0200-TAC	208-230/3/60	6.8	50	8.5	15
	T4	KAKA-0200-TAD	460/3/60	3.0	25	3.8	15
KXSA030H2	S2	ERF2-0310-CAB	208-230/1/60	17.0	86	21.3	35
	T3	ERF1-0310-TAC	208-230/3/60	11.7	82	14.6	25
	T4	ERF1-0310-TAD	460/3/60	6.4	41	8.0	15
KXSA040H2	T3	NRB2-0400-TFC	208-230/3/60	21.8	141	27.3	45
	T4	NRB2-0400-TFD	460/3/60	11.3	63	14.1	25
KXSA005M2	S2	HAJ2-0050-CAV	208-230/1/60	3.7	22	4.6	15
	T3	HAJ1-0050-TAC	208-230/3/60	2.2	13	2.8	15
KXSA008M2	S2	KAE2-0075-CAV	208-230/1/60	5.4	36	6.8	15
	T3	KAE1-0075-TAC	208-230/3/60	3.4	19.9	4.3	15
KXSA010M2	S2	KAM2-0100-CAV	208-230/1/60	7.5	40	9.4	15
	T3	KAM1-0100-TAC	208-230/3/60	4.5	27	5.6	15
KXSA021M2	S2	ERC2-0200-CAB	230/1/60	10.9	58	13.6	20
	T3	ERC1-0200-TAC	208-230/3/60	6.8	46	8.5	15
	T4	ERC1-0200-TAD	460/3/60	3.6	23	4.5	15
	T5	ERC1-0200-TAE	575/3/60	3.2	20	4.0	15
KXSA030M2	S2	3RA2-0310-CAB	230/1/60	17.8	86	22.3	40
	T3	3RA1-0310-TAC	208-230/3/60	13.1	82	16.4	25
	T4	3RA1-0310-TAD	460/3/60	6.6	41	8.3	15
KXSA050M2	T3	NRM1-0500-TFC	208-230/3/60	24.3	141	30.4	50
	T4	NRM1-0500-TFD	460/3/60	12.1	63	15.1	25
	T5	NRM1-0500-TFE	575/3/60	9.2	53	11.5	20

NOTE: Above listed RLA value conforms to UL rating method and may differ from other published compressor RLA data

UNIT MODEL	ELECTRICAL CODE	COMPRESSOR MODEL	POWER SUPPLY	COMPRESSOR		UNIT	
				RLA	LRA	MCA	MOP
KXSA005M6	S2	HAJB-005E-CAV	208-230/1/60	3.7	22	4.6	15
	T3	HAJA-005E-TAC	208-230/3/60	2.2	13	2.8	15
KXSA010M6	S2	KARB-010E-CAV	208-230/1/60	7.4	40	9.3	15
	T3	KARA-010E-TAC	208-230/3/60	4.3	27	5.4	15
KXSA020M6	S2	KAKB-021E-CAV	208-230/1/60	10.6	55	13.3	20
	T3	KAKA-020E-TAC	208-230/3/60	6.8	50	8.5	15
	T4	KAKA-022E-TAD	460/3/60	3.0	25	3.8	15
KXSA021M6	T3	ERCA-021E-TAC	208-230/3/60	8.8	46	11.0	15
	T4	ERCA-020E-TAD	460/3/60	3.5	23	4.4	15
	T5	ERCA-020E-TAE	575/3/60	3.1	20	3.9	15
KXSA030M6	S2	ERFB-031E-CAB	208-230/1/60	17.0	86	21.3	35
	T3	ERFA-031E-TAC	208-230/3/60	12.4	82	15.5	25
	T4	ERFA-031E-TAD	460/3/60	5.8	41	7.3	15
KXSA035M6	T3	3RAA-031E-TAC	208-230/3/60	14.2	82	17.8	30
	T4	3RAA-031E-TAD	460/3/60	6.3	41	7.9	15
KXSA040M6	T3	NRB2-040E-TFC	208-230/3/60	21.8	141	27.3	45
	T4	NRB2-040E-TFD	460/3/60	9.0	63	11.3	20
KXSA005L6	S2	KANB-005E-CAV	208-230/1/60	3.6	24	4.5	15
	T3	KANA-006E-TAC	208-230/3/60	2.2	13.2	2.8	15
KXSA008L6	S2	KAMB-007E-CAV	208-230/1/60	5.6	36	7.0	15
	T3	KAMA-007E-TAC	208-230/3/60	3.2	19.9	4.0	15
KXSA010L6	S2	KAJB-010E-CAV	208-230/1/60	6.9	40	8.6	15
	T3	KAJA-011E-TAC	208-230/3/60	4.6	27	5.8	15
KXSA015L6	S2	KALB-015E-CAV	208-230/1/60	9.9	55	12.4	20
	T3	KALA-016E-TAC	208-230/3/60	6.6	50	8.3	15
	T4	KALA-016E-TAD	460/3/60	3.4	25	4.3	15
KXSA020L6	S2	EADB-021E-CAB	230/1/60	10.0	58	12.5	20
	T3	EADA-020E-TAC	208-230/3/60	6.8	46	8.5	15
KXSA021L6	S2	EAVB-021E-CAV	208-230/1/60	14.7	102	18.4	30
	T3	EAVA-021E-TAC	208-230/3/60	7.4	50	9.3	15
	T4	EAVA-021E-TAD	460/3/60	3.9	26.6	4.9	15
	T5	EAVA-021E-TAE	575/3/60	3.1	20	3.9	15
KXSA030L6	S2	LAHB-032E-CAB	208-230/1/60	16.7	105	20.9	35
	T3	LAHB-032E-TAC	208-230/3/60	12.8	112	16.0	25
	T4	LAHB-032E-TAD	460/3/60	6.0	56	7.5	15
	T5	LAHB-032E-TAE	575/3/60	4.1	30	5.1	15
KXSA031L6	S2	NRD1-032E-CFB	208-230/1/60	27.7	115	34.6	60
	T3	NRD1-032E-TFC	208-230/3/60	16.3	82	20.4	35
	T4	NRD1-032E-TFD	460/3/60	8.4	41	10.5	15
KXSA032L6	S2	LACB-032E-CAB	208-230/1/60	15.5	105	19.4	30
	T3	LACB-032E-TAC	208-230/3/60	12.8	112	16.0	25
	T4	LACB-032E-TAD	460/3/60	6.0	56	7.5	15

NOTE: Above listed RLA value conforms to UL rating method and may differ from other published compressor RLA data

DIMENSIONAL DATA



UNIT MODEL RANGE	DIMENSIONS - INCHES (MM)		
	W	D	H
005 to 020L	24 7/8 (631)	30 3/8 (771)	16 1/2 (419)
020M&H to 030L	36 3/8 (924)	30 3/8 (771)	19 1/2 (495)
030M&H to 050	47 3/8 (1203)	32 7/8 (835)	30 (762)



SPECIFICATIONS

UNIT MODEL	FIELD CONNECTIONS - INCHES (MM)		REC @ 90%	SHIPPING WEIGHT - LBS (KG)
	SUCTION	LIQUID		
KXHA005H2	1/2 (13)	3/8 (10)	6.0	110 (50)
KXHA008H2	5/8 (16)	3/8 (10)	6.0	120 (54)
KXHA010H2	5/8 (16)	3/8 (10)	6.0	140 (64)
KXHA015H2	5/8 (16)	3/8 (10)	12.5	240 (109)
KXHA020H2	5/8 (16)	3/8 (10)	12.5	240 (109)
KXHA025H2	7/8 (22)	3/8 (10)	16.0	250 (113)
KXHA030H2	7/8 (22)	1/2 (13)	24.0	330 (150)
KXHA035H2	7/8 (22)	1/2 (13)	24.0	330 (150)
KXHA040H2	1 1/8 (29)	1/2 (13)	24.0	340 (154)
KXHA050H2	1 1/8 (29)	1/2 (13)	24.0	350 (159)
KXHA006E6	5/8 (16)	3/8 (10)	5.4	120 (54)
KXHA008E6	5/8 (16)	3/8 (10)	5.4	120 (54)
KXHA009E6	5/8 (16)	3/8 (10)	5.4	120 (54)
KXHA010E6	5/8 (16)	3/8 (10)	5.4	140 (64)
KXHA015E6	5/8 (16)	3/8 (10)	11.3	240 (109)
KXHA020E6	5/8 (16)	3/8 (10)	11.3	240 (109)
KXHA025E6	7/8 (22)	1/2 (13)	14.4	240 (109)
KXHA030E6	7/8 (22)	1/2 (13)	21.5	320 (145)
KXHA035E6	7/8 (22)	1/2 (13)	21.5	320 (145)
KXHA040E6	7/8 (22)	1/2 (13)	21.5	320 (145)
KXHA050E6	7/8 (22)	1/2 (13)	21.5	330 (150)
KXHA006L6	1/2 (13)	3/8 (10)	5.4	110 (50)
KXHA008L6	5/8 (16)	3/8 (10)	5.4	160 (73)
KXHA010L6	7/8 (22)	3/8 (10)	5.4	160 (73)
KXHA020L6	7/8 (22)	3/8 (10)	5.4	160 (73)
KXHA025L6	7/8 (22)	3/8 (10)	11.3	240 (109)
KXHA030L6	7/8 (22)	1/2 (13)	14.4	250 (113)

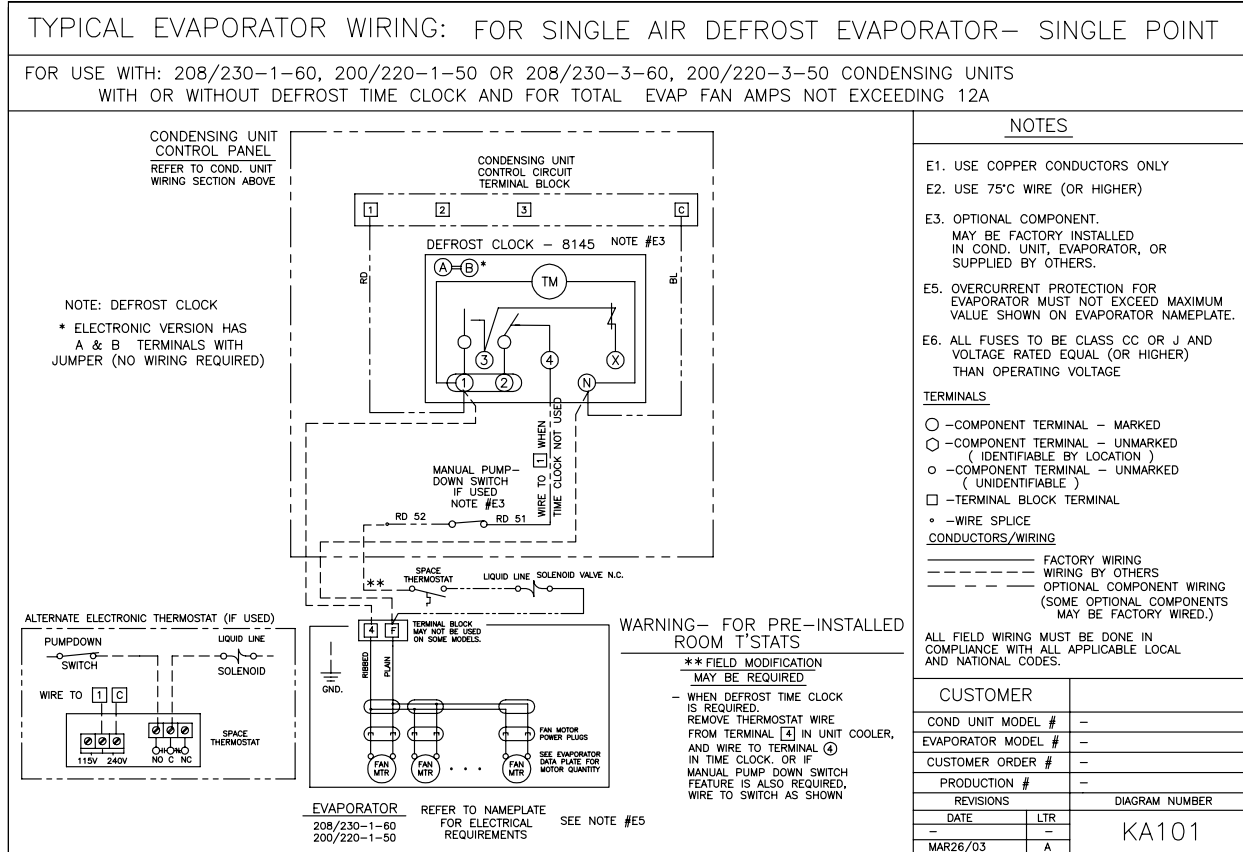
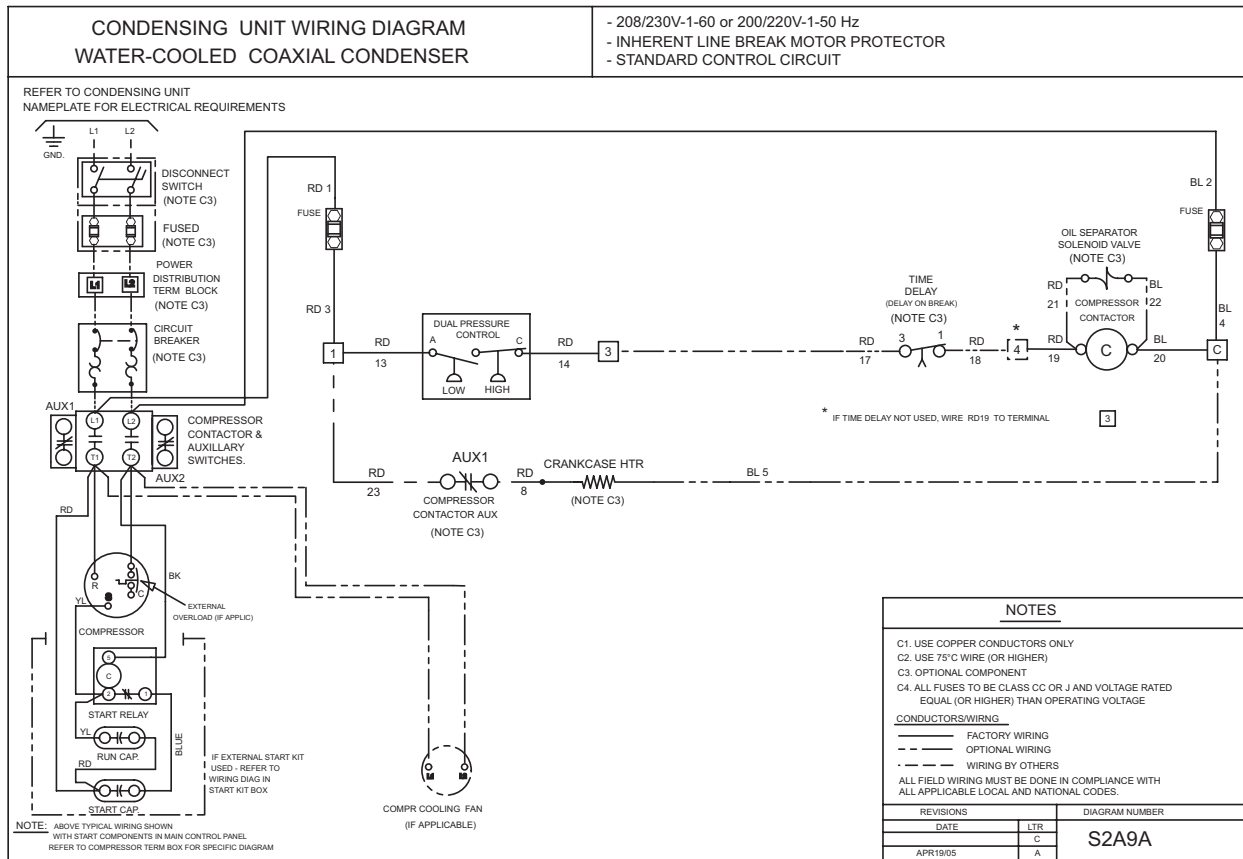


SPECIFICATIONS

UNIT MODEL	FIELD CONNECTIONS - INCHES (MM)		REC @ 90%	SHIPPING WEIGHT - LBS (KG)
	SUCTION	LIQUID		
KXSA005H2	1/2 (13)	3/8 (10)	6	190 (86)
KXSA008H2	1/2 (13)	3/8 (10)	6	220 (100)
KXSA010H2	5/8 (16)	3/8 (10)	6	240 (109)
KXSA015H2	7/8 (22)	3/8 (10)	16	280 (127)
KXSA020H2	7/8 (22)	1/2 (13)	16	290 (132)
KXSA030H2	1 1/8 (29)	1/2 (13)	25	410 (186)
KXSA040H2	1 1/8 (29)	5/8 (16)	25	470 (213)
KXSA005M2	1/2 (13)	3/8 (10)	6	190 (86)
KXSA008M2	5/8 (16)	3/8 (10)	6	220 (100)
KXSA010M2	5/8 (16)	3/8 (10)	6	240 (109)
KXSA021M2	7/8 (22)	1/2 (13)	16	350 (159)
KXSA030M2	1 1/8 (29)	1/2 (13)	25	410 (186)
KXSA050M2	1 1/8 (29)	1/2 (13)	25	650 (295)
KXSA005M6	1/2 (13)	3/8 (10)	5.2	190 (86)
KXSA010M6	5/8 (16)	3/8 (10)	5.2	240 (109)
KXSA020M6	7/8 (22)	1/2 (13)	14	290 (132)
KXSA021M6	7/8 (22)	1/2 (13)	14	350 (159)
KXSA030M6	7/8 (22)	1/2 (13)	22	410 (186)
KXSA035M6	1 1/8 (29)	5/8 (16)	22	420 (191)
KXSA040M6	1 1/8 (29)	5/8 (16)	22	470 (213)
KXSA005L6	1/2 (13)	3/8 (10)	5.2	220 (100)
KXSA008L6	5/8 (16)	3/8 (10)	5.2	240 (109)
KXSA010L6	7/8 (22)	3/8 (10)	5.2	260 (118)
KXSA015L6	7/8 (22)	3/8 (10)	14	280 (127)
KXSA020L6	7/8 (22)	3/8 (10)	14	350 (159)
KXSA021L6	7/8 (22)	1/2 (13)	14	350 (159)
KXSA030L6	1 1/8 (29)	1/2 (13)	22	420 (191)
KXSA031L6	1 1/8 (29)	1/2 (13)	22	490 (222)
KXSA032L6	1 1/8 (29)	1/2 (13)	22	420 (191)

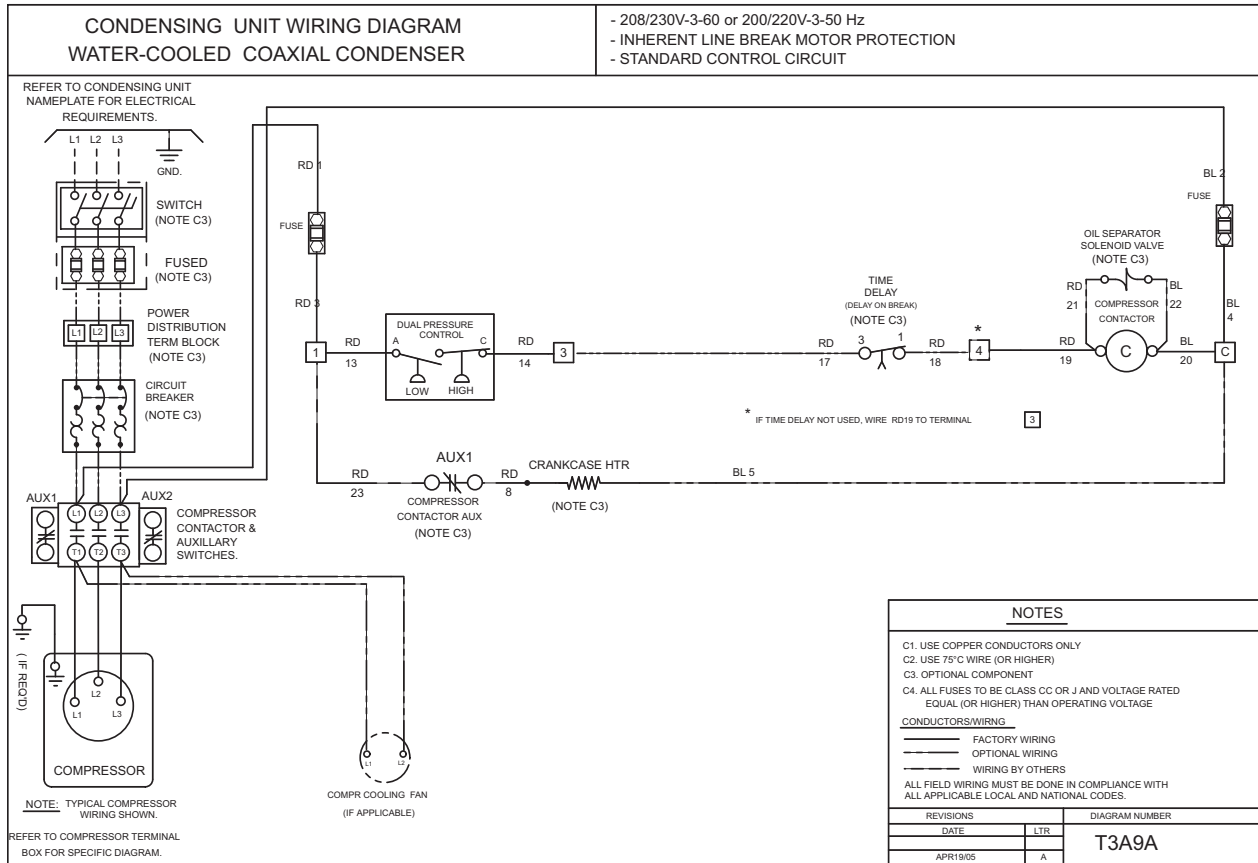
TYPICAL SYSTEM WIRING DIAGRAM

208-230/1/60



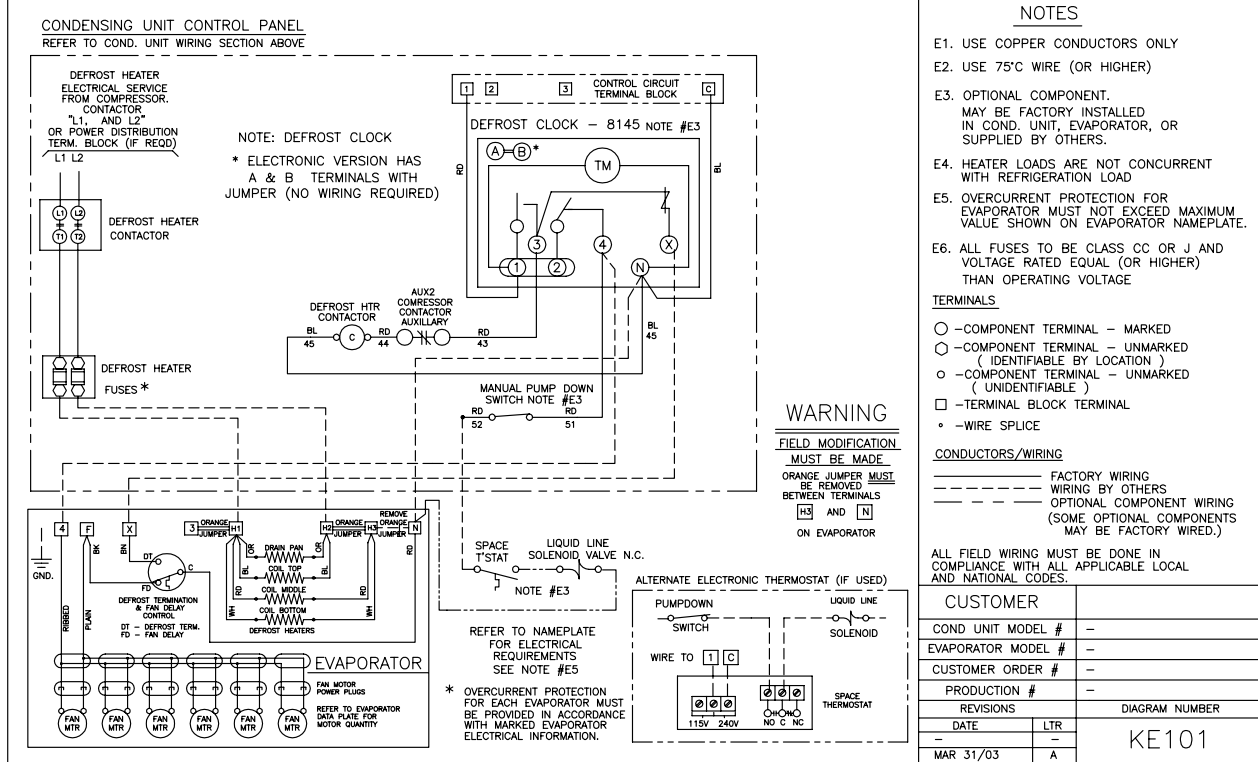
TYPICAL SYSTEM WIRING DIAGRAM

(208-230/3/60)



TYPICAL EVAPORATOR WIRING: FOR SINGLE LOW PROFILE ELECT DEFROST EVAPORATOR— SINGLE POINT

FOR USE WITH: 230v SINGLE OR THREE PHASE CONDENSING UNITS WITH DEFROST TIME CLOCK, AND DEFR. HTR. CONTACTOR.



TYPICAL SYSTEM WIRING DIAGRAM (460/3/60, 575/3/60)

